

RE  
A  
E  
C



# Clear Super-Size AkroBins®

Large-capacity storage bins for organizing heavy or bulky items.

- Heavy-duty bins molded in clear industrial-grade polymers, unaffected by weak acids or alkalis; water, rust and corrosion proof
- Extra large stacking containers feature anti-slide stop to prevent bins from shifting forward
- Reinforced side ribs add strength and prevent spreading when stacked or loaded
- Length and width dividers sold separately
- Available in 12 sizes



30293SCLAR

## Clear Super-Size AkroBins

Outside Dim. Inches

Model No.	L	W	H
30280SCLAR	20	12 $\frac{3}{8}$	6
30281SCLAR	20	12 $\frac{3}{8}$	8
30282SCLAR	20	12 $\frac{3}{8}$	12
30283SCLAR	20	18 $\frac{3}{8}$	12
30284SCLAR	23 $\frac{7}{8}$	8 $\frac{1}{4}$	7
30286SCLAR	23 $\frac{7}{8}$	11	7
30287SCLAR	23 $\frac{7}{8}$	11	10
30288SCLAR	23 $\frac{7}{8}$	16 $\frac{1}{2}$	11
30289SCLAR	23 $\frac{7}{8}$	18 $\frac{1}{4}$	12
30290SCLAR	29 $\frac{1}{4}$	18 $\frac{3}{8}$	12
30292SCLAR	29 $\frac{7}{8}$	11	10
30293SCLAR	29 $\frac{7}{8}$	16 $\frac{1}{2}$	11

## Clear Super-Size AkroBin 24" Deep Wire Shelving Systems

Model No.	Bin Model No.	Bin Qty.	Shelves
AWS243602845C	30284SCLAR	28	8
AWS243602875C	30287SCLAR	16*	6
AWS243602885C	30288SCLAR	12	3
AWS243612885C	30288SCLAR	10	3

\*Bonus Bins are included at no extra charge.

## Clear Super-Size AkroBin 24" Deep Steel Shelving Systems

Model No.	Bin Model No.	Bin Qty.	Shelves
AS24792875C	30287SCLAR	24*	3
AS24792885C	30288SCLAR	12	4
AS2479ASSORT5C	30287SCLAR/30288SCLAR	12/6	3

\*Bonus Bins are included at no extra charge.



AWS243612885C



AS24792885C

# Clear Stak-N-Store Bins

Sturdy stacking storage bins for heavy and bulky items. Create tall, stable storage arrangements to save floor space. Extra-wide hopper front!

- Rolled top edge for added strength and durability
- Large comfort grip handles for easy lifting
- Available in 3 sizes



AWS1836130145C

AS1879130185C



13017SCLAR

13018SCLAR

13014SCLAR

## Clear Stak-N-Store Bins

Outside Dim. Inches

Model No.	L	W	H
13014SCLAR	17 $\frac{1}{2}$	10 $\frac{3}{8}$	12 $\frac{1}{2}$
13017SCLAR	15 $\frac{1}{4}$	19 $\frac{3}{8}$	12 $\frac{3}{16}$
13018SCLAR	17 $\frac{1}{2}$	16 $\frac{1}{2}$	12 $\frac{1}{2}$

## Clear Stak-N-Store 18" Deep Wire Shelving Systems

Model No.	Bin Model No.	Bin Qty.	Shelves
AWS18365NS5C	13014SCLAR/13018SCLAR	9	5
AWS1836130185C	13018SCLAR	8	5

## Clear Stak-N-Store 18" Deep Steel Shelving Systems

Model No.	Bin Model No.	Bin Qty.	Shelves
AS1879130145C	13014SCLAR	16*	6
AS1879130185C	13018SCLAR	10	6
AS1879130175C	13017SCLAR	12*	6

\*Bonus Bins are included at no extra charge.

# Clear AkroBins®

Organize inventory and keep parts in clear view with clear AkroBins. Heavy-duty bins securely stack atop each other, sit on shelving or hang from Akro-Mils louvered racks, panels, rails and carts.

- Molded of durable clear industrial-grade polymers, AkroBins are unaffected by weak acids and alkalis
- Sturdy, one-piece construction is water, rust and corrosion-proof
- Guaranteed not to crack or break under normal load conditions as stated in our 1-year limited warranty
- Length and width dividers sold separately
- Available in 14 sizes



30250SCLAR



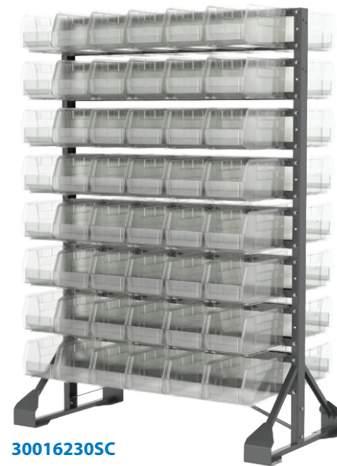
30230SCLAR w/ 30231 Lid



30237SCLAR

## Clear AkroBins Outside Dim. Inches

Model No.	L	W	H	Lids
30210SCLAR	5 $\frac{1}{8}$ "	4 $\frac{1}{8}$ "	3"	30211CRY
30220SCLAR	7 $\frac{1}{8}$ "	4 $\frac{1}{8}$ "	3"	30221CRY
30224SCLAR	10 $\frac{1}{8}$ "	4 $\frac{1}{8}$ "	4"	30225CRY
30230SCLAR	10 $\frac{1}{8}$ "	5 $\frac{1}{2}$ "	5"	30231CRY
30234SCLAR	14 $\frac{1}{4}$ "	5 $\frac{1}{2}$ "	5"	-
30239SCLAR	10 $\frac{1}{4}$ "	8 $\frac{1}{4}$ "	7"	-
30240SCLAR	14 $\frac{1}{4}$ "	8 $\frac{1}{4}$ "	7"	-
30265SCLAR	18"	8 $\frac{1}{4}$ "	9"	-
30235SCLAR	10 $\frac{1}{8}$ "	11"	5"	30236CRY
30260SCLAR	18"	11"	10"	-
30255SCLAR	10 $\frac{1}{8}$ "	16 $\frac{1}{2}$ "	5"	-
30250SCLAR	14 $\frac{1}{4}$ "	16 $\frac{1}{2}$ "	7"	-
30270SCLAR	18"	16 $\frac{1}{2}$ "	11"	-
30320SCLAR	8 $\frac{1}{2}$ "	33"	5"	-



30016230SC

## Clear AkroBin Rail Hanging Systems

Model No.	Bin Model No.	Bin Qty.
30016220SC	30220SCLAR	192
30016240SC	30240SCLAR	48



AWS183630270SC

## Clear AkroBin Wire Shelving Systems

Model No.	Bin Model No.	Bin Qty.
<b>14" Deep</b>		
AWS143630320SC	30320SCLAR	12*
AWS143630240SC	30240SCLAR	36
AWS143630250SC	30250SCLAR	18
<b>18" Deep</b>		
AWS184830260SC	30260SCLAR	24*
AWS183630265SC	30265SCLAR	18*
AWS183630270SC	30270SCLAR	9*

\*Bonus Bins are included at no extra charge.



# Clear ShelfMax® Bins

Clear 6-inch ShelfMax Bins expand storage capacity up to 85% over standard 4" bins.

- Rolled top edge for added strength when filled to capacity
- Durable clear industrial-grade polymer construction is far superior to corrugated bins
- Width dividers sold separately
- Available in 9 sizes



30040SCLAR



30084SCLAR

Clear ShelfMax Model No.	Outside Dim. Inches		
	L	W	H
30040SCLAR	11%	4%	6
30090SCLAR	11%	6%	6
30080SCLAR	11%	8%	6
30048SCLAR	17%	4%	6
30098SCLAR	17%	6%	6
30088SCLAR	17%	8%	6
30094SCLAR	23%	6%	6
30084SCLAR	23%	8%	6
30014SCLAR	23%	11%	6

Clear ShelfMax Steel Shelving Systems		
Model No.	Bin Model No.	Bin Qty.
<b>12" Deep</b>		
AS1279040SC	30040SCLAR	80
AS1279090SC	30090SCLAR	50
AS1279080SC	30080SCLAR	40
<b>18" Deep</b>		
AS1879048SC	30048SCLAR	80
AS1879098SC	30098SCLAR	50
<b>24" Deep</b>		
AS2479094SC	30094SCLAR	50
AS2479014SC	30014SCLAR	30



30080SCLAR



AS1279090SC

\*Bonus Bins are included at no extra charge.

# Clear Shelf Bins

4-inch Shelf Bins are the industry standard for quality, durability and value. Molded from durable industrial-grade polymers, clear shelf bins allow for easy identification of parts and supplies.

- Wide hopper front and molded-in label holder
- Built-in rear hanglock allows bin to tilt out for complete access
- Width dividers sold separately
- Available in 13 sizes



30170SCLAR



30138SCLAR



30184SCLAR

Clear Shelf Bins Model No.	Outside Dim. Inches		
	L	W	H
30110SCLAR	11%	2%	4
30120SCLAR	11%	4%	4
30130SCLAR	11%	6%	4
30150SCLAR	11%	8%	4
30170SCLAR	11%	11%	4
30128SCLAR	17%	4%	4
30138SCLAR	17%	6%	4
30158SCLAR	17%	8%	4
30178SCLAR	17%	11%	4
30124SCLAR	23%	4%	4
30164SCLAR	23%	6%	4
30184SCLAR	23%	8%	4
30174SCLAR	23%	11%	4

Clear Shelf Bin Wire Shelving Systems		
Model No.	Bin Model No.	Bin Qty.
AWS143630120SC	30120SCLAR	96
AWS143630130SC	30130SCLAR	60
AWS143630150SC	30150SCLAR	48
AWS143630170SC	30170SCLAR	36
AWS183630128SC	30128SCLAR	96
AWS183630138SC	30138SCLAR	60
AWS183630158SC	30158SCLAR	48
AWS183630178SC	30178SCLAR	36
AWS244830124SC	30124SCLAR	120
AWS244830164SC	30164SCLAR	66
AWS244830184SC	30184SCLAR	60*
AWS244830174SC	30174SCLAR	48*

\*Bonus Bins are included at no extra charge.

## Clear Shelf Bin Steel Shelving Systems

Model No.	Bin Model No.	Bin Qty.
<b>12" Deep</b>		
AS1279110SC	30110SCLAR	144
AS1279120SC	30120SCLAR	96
AS1279150SC	30150SCLAR	48
AS1279170SC	30170SCLAR	36
<b>18" Deep</b>		
AS1879128SC	30128SCLAR	96
AS1879138SC	30138SCLAR	60
AS1879158SC	30158SCLAR	48
AS1879178SC	30178SCLAR	36



AWS143630130SC



AS1279130SC

# Clear Attached Lid Containers

Reusable containers ideal for shipping, distribution, order picking and storage

- Lids snap close to protect contents
- Containers stack on closed lids and nest in open lids
- Containers interwork for easy pallet loading
- Padlock eye on both ends accommodate security ties
- Textured bottoms provide a sure grip on conveyor belts
- Attached lids cannot get lost or misplaced

**Non-standard color, minimum quantities apply.**



39085SCLAR  
39120SCLAR

Clear ALCs	Outside Dim. Inches			
	Model No.	L	W	H
	39085	21½	15	9
	39120	21½	15	12½
	39160	27	17	12½
	39170	21½	15	17
	39175	24	19½	12½
	39280	28	21	15½

# Clear Nest & Stack Totes

Durable industrial grade totes, ideal for shipping, transfer and storage applications.

- Totes nest when empty; stack with or without lids
- Manufactured from FDA-compliant materials
- Smooth surfaces are easy to clean
- Long service life resulting in lower replacement costs
- Optional lids available

**Non-standard color, minimum quantities apply.**



35180SCLAR

35191SCLAR

Clear NSTs	Outside Dim. Inches				
	Model No.	L	W	H	Lids
	35180	18	11	6	35181
	35185	18	11	9	35181
	35190	19½	15½	10	35191
	35195	19½	15½	13	35191
	35200	19½	13½	8	35201
	35225	23½	19½	10	35231
	35230	23½	19½	13	35231
	35240	23½	15½	12	35241
	35300	29½	19½	15	35301

# Clear Akro-Grids

Versatile dividable storage containers for a variety of applications including: storage, work-in-process, automated material handling systems, kitting and distribution. Clear industrial-grade polymer grid boxes are a heavy-duty solution to separate and protect small parts during transport.

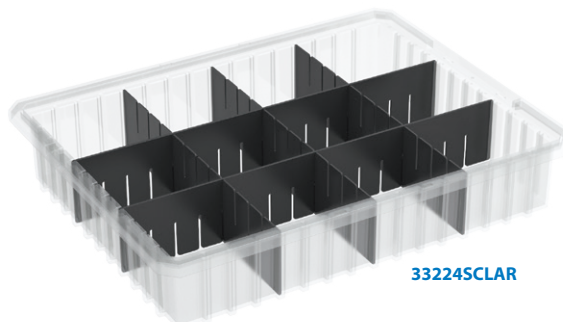
- Resists most solvents and chemicals
- Molded-in letter/number system for easy part tracking
- Optional clear snap-on lids available
- Length and width dividers sold separately
- Available in 9 sizes

**Non-standard color, minimum quantities apply.**



33105SCLAR

33168SCLAR



33224SCLAR



33061SCLAR

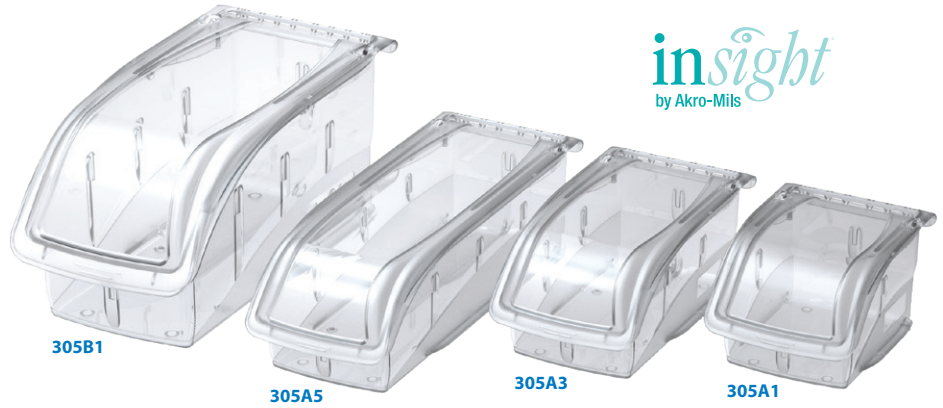
Clear Akro-Grids	Outside Dim. Inches				
	Model No.	L	W	H	Lids
	33105SCLAR	10½	8¼	5	33011
	33164SCLAR	16	10½	4	33061
	33166SCLAR	16½	10½	6	33061
	33168SCLAR	16½	10½	8	33061
	33220SCLAR	22½	17½	10	33023
	33223SCLAR	22½	17½	3	33023
	33224SCLAR	22½	17½	4	33023
	33226SCLAR	22½	17½	6	33023
	33228SCLAR	22½	17½	8	33023

# Ultra-Clear InSight® Bins

Ultra-Clear InSight Bins provide maximum visibility in a sleek, modern design. High-impact polycarbonate construction makes this unique bin the durable, modern storage solution for any setting.

- Bins stack with or without optional clear lids in place
- Rear hanging lip allows bins to securely hang from louvered panels and rails
- Autoclavable bin withstands temperatures up to 350° F
- Available in 4 sizes

*insight*  
by Akro-Mils



305A3



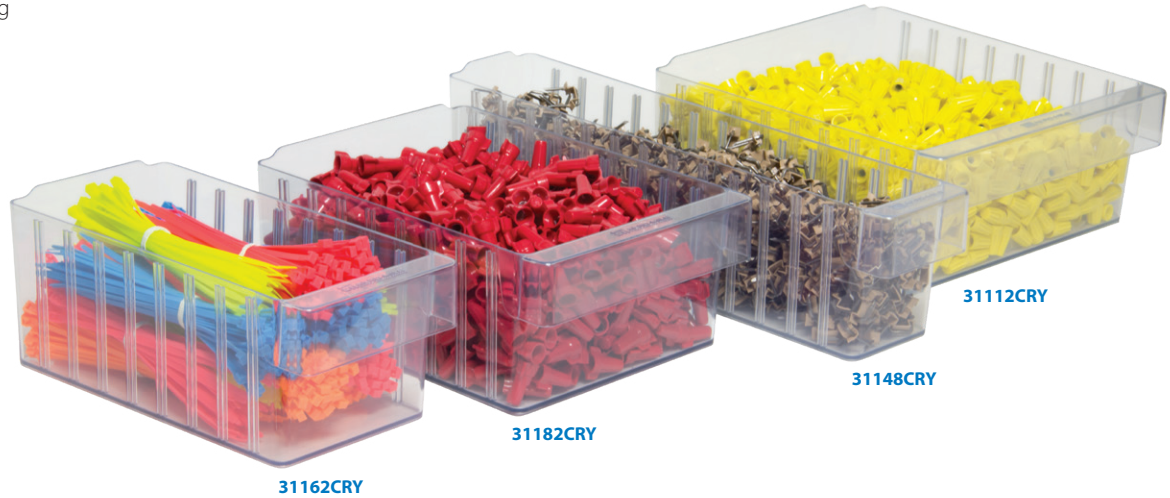
Ultra-Clear InSight Model No.	Outside Dim. Inches			Lids
	L	W	H	
305A1	5%	4%	3%	305A2
305A3	7%	4%	3%	305A4
305A5	10%	4%	3%	305A6
305B1	10%	5½	5%	305B2

# Crystal Clear AkroDrawers®

Crystal Clear AkroDrawers keep contents highly visible and allow for quick identification of parts and supplies. Made of a durable acrylic blend, clear AkroDrawers are ideal for a variety of environments from industrial to medical.

- Wide front handle for easy gripping
- Dividable to keep contents neatly separated and organized
- Sturdy backstop tab allows drawers to hang securely from shelves
- Width dividers sold separately
- Available in 8 sizes

**AkroDrawers®**



Crystal Clear AkroDrawers Model No.	Outside Dim. Inches		
	L	W	H
31142CRY	11%	3%	4%
31148CRY	17%	3%	4%
31162CRY	11%	5½	4%
31168CRY	17%	5½	4%
31182CRY	11%	8%	4%
31188CRY	17%	8%	4%
31112CRY	11%	11%	4%
31118CRY	17%	11%	4%

**MADE IN THE USA**

**AKRO-MILS®**

akro-mils.com

1293 South Main Street, Akron, Ohio 44301 • Tel: 800.253.2467 • inquiry@akro-mils.com

In Canada: Ak-West, Inc. • Tel: 877.979.8940 • Fax: 403.225.1696 • sales@ak-westinc.com • ak-westinc.com